

Medium Section Spring Washer

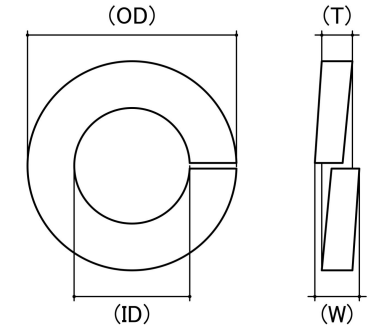
Material: Stainless Steel

Class Grade: A2-70 G304

Corrosion Protection Level: Excellent

Standard: ANSI B18.21.1

System Of Measurement: Screw Gauge



*CAD drawings shown for graphic representation only.**

Industry Size (mm)	Inside Dimension (ID) (mm)		Outside Dimension (OD) (mm)	Width (W) (mm)	Thickness (T) (mm)	sku (qfind)
	Min	Max	Nom	Nom	Nom	
2.20	2.23	2.39	4.40	0.89	0.40	71PS2G
3/32	2.56	2.72	5.10	1.02	0.40	71PS332
2.90	2.89	3.05	5.60	1.02	0.40	71PS4G
1/8	3.10	3.40	6.00	1.19	0.80	71PS18
3.2	3.22	3.38	6.00	1.19	0.80	71PS5G
3.50	3.58	3.75	6.35	1.19	0.80	71PS6G
5/32	4.10	4.50	7.60	1.40	1.20	71PS532
4.80	4.90	5.08	9.00	1.57	1.20	71PS10G
3/16 (#10-24)	4.90	5.08	9.00	1.57	1.20	71PS316
1/4	6.10	6.70	12.00	2.77	1.60	71PS14
5/16	8.00	8.50	15.00	3.17	2.00	71PS516
3/8	9.57	9.78	17.50	3.58	2.40	71PS38
7/16	11.30	-	20.00	3.96	4.00	71PS716
1/2	12.20	13.00	22.00	4.34	3.20	71PS12

Industry Size (mm)	Inside Dimension (ID) (mm)		Outside Dimension (OD) (mm)	Width (W) (mm)	Thickness (T) (mm)	sku (qfind)
	Min	Max	Nom	Nom	Nom	
9/16	14.20	14.70	23.30	4.50	2.95	71PS916
5/8	15.95	16.28	27.00	5.17	4.00	71PS58
3/4	19.12	19.45	32.00	5.94	4.75	71PS34
7/8	22.30	24.00	37.00	6.75	5.50	71PS78
1	24.50	26.50	42.00	7.54	6.35	71PS1
1-1/8	27.50	29.50	48.00	8.33	7.15	71PS118
1-1/4	31.85	32.52	51.00	9.11	8.00	71PS114
1-1/2	36.50	38.50	63.00	10.72	9.50	71PS112

Disclaimer:

Dimensional data and technical information was obtained from publicly available sources and not acquired through standard agencies. It has been completed and compiled for reference purposes only; where discrepancies are found they are subject to change without notice. Bolt & Nut Australia makes no warranties or representations regarding the accuracy and validity of the compiled information and data. Contact the relevant standard authorities for accurate and detailed information.

* CAD drawings may not reflect diameter, thread length or overall length.

© Bolt & Nut Australia Pty Ltd. All rights reserved.

Version: 18 Mar 2024